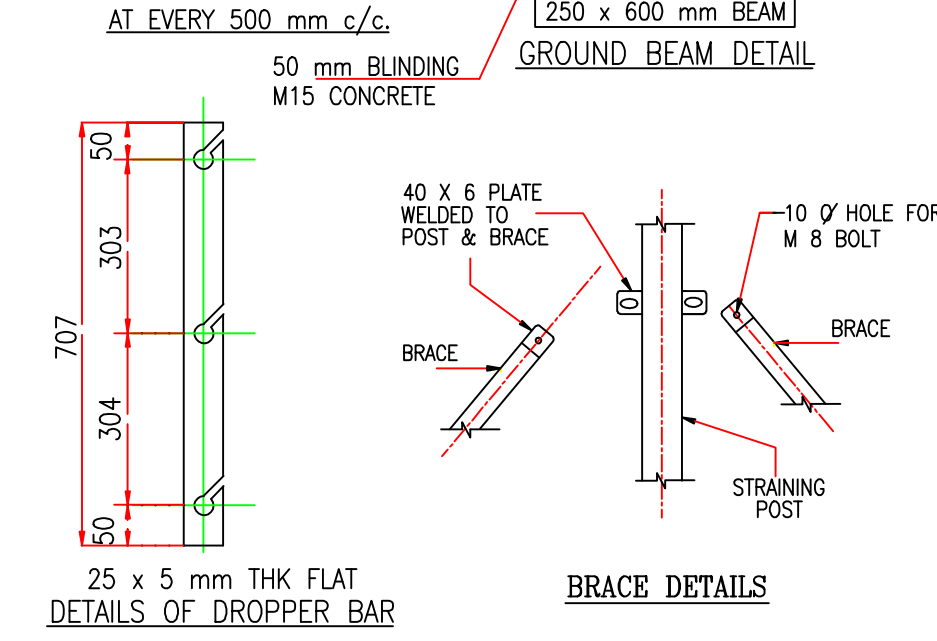
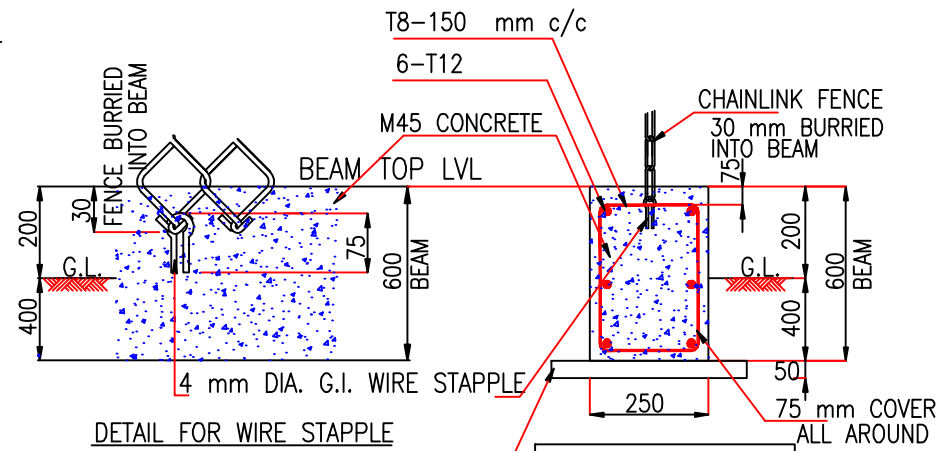
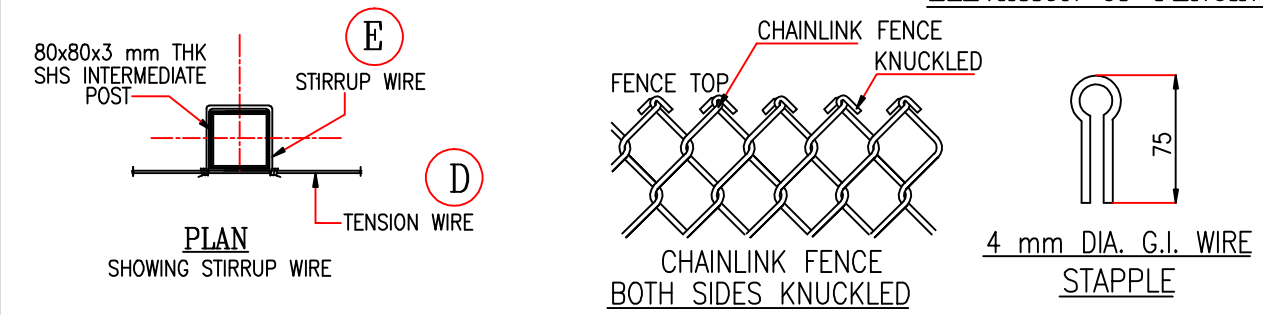
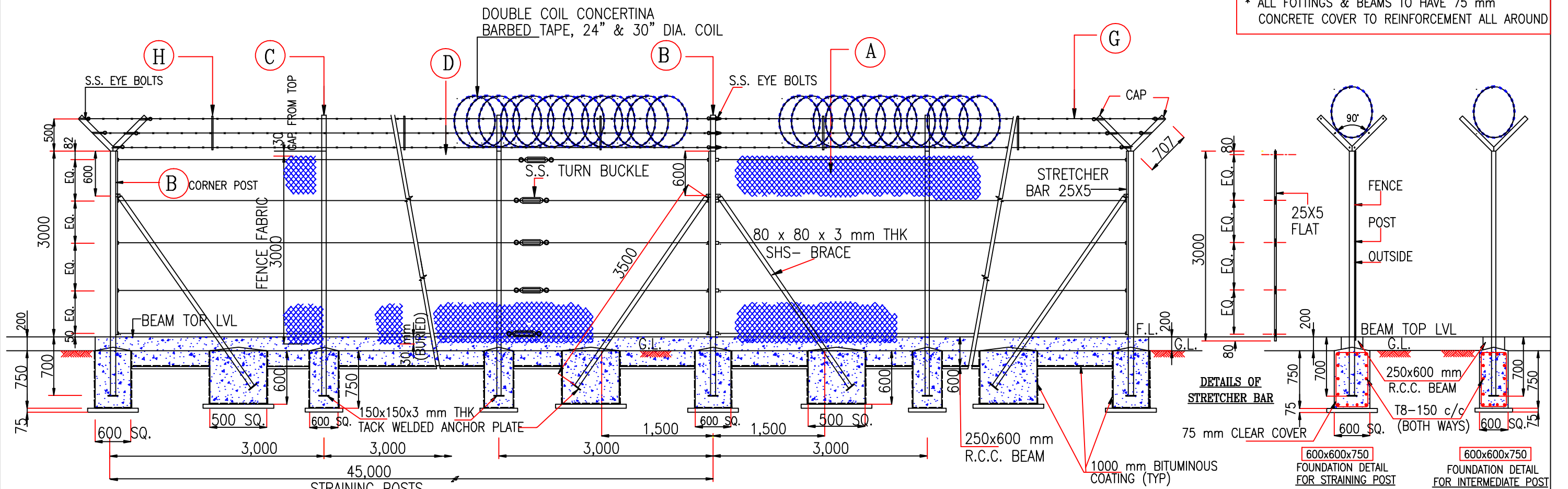


* ALL FOTTINGS & BEAMS TO HAVE 75 mm CONCRETE COVER TO REINFORCEMENT ALL AROUND



- NOTES:
1. ALL DIMENSIONS ARE IN MILLIMETRES.
 2. ALL WIRES CONFORM TO BS 443 & PVC COATED
 3. ALL METALS ARE HOT DIP GALVANIZED & PVC COATED TO 300 MICRONS IN GREEN COLOUR (RAL-6005)
 4. FOUNDATION DETAILS TO BE PROVIDED BY MAIN CONTRACTOR

SR. NO.	ITEM	SPECIFICATION
A	PVC COATED (FUSION COATED) CHAINLINK FENCING	4.67/6.40 MM DIA WIRE HEIGHT: 3.0 M (FUSION COATED) MESH SIZE: 50 X 50 MM (BOTH SIDES KNUCKLED)
B	STRAINING POST & CORNER/END POSTS	80 x 80 x 3 mm SHS WITH 2 NOS. OF 80 x 80 x 3 mm SHS- SUPPORTS @ 45.0 M c/c.
C	INTERMEDIATE POST	80 x 80 x 3 mm SHS AT 3.0 M CENTRES.
D	PVC COATED TENSION LINE WIRE	5 NOS. - 4.67/6.4 MM DIA. PVC COATED FENCE
E	STIRRUP WIRE	3.85/4.75 MM DIA PVC COATED WIRE
F	TIE WIRE	1.4/2.0 MM DIA PVC COATED WIRE
G	BARBED WIRE	6 ROWS - STAINLESS STEEL(S.S.-304) BARBED WIRE, MEDIUM 2 PLY 12.5 SWG AUSTENETIC QUALITY 4 POINTS, S.S TIES
H	DROPPER BARS	25 x 5 mm THK FLAT- DROPPER BARS

DATE	REV NO.	REVISIONS	BY
AL HADDEDD POWER GENERATION - CIVIL WORKS Kingdom Of Bahrain			
CLIENT: AL HADDEDD POWER PLANT			
Contractor: M/S. ABDUL AAL SAFETY AND SECURTIY SERVICES BAHRAIN			
PROJECT: AL HADDEED 220/33 KV SUBSTATION			
TITLE: ELEVATION OF FENCING SYSTEM			
DESIGN:	SCALE: N.T.S.		
DRAWN:	DATE:		
CHECKED:	DRG. NO.: 463 - 11		
APPROVED:			